

Parameters

Electrical Parameters:	
Working voltage	DC48V
Static Power	4W
Audio input voltage	0.7VPP
Audio output resistance	32Ω
Output resistance	RL=4Ω , RR = 4Ω
Output power	50W×2
Harmonic distortion	<0.05%
SNR	97dB
communication	Audio in/out
	Dry contact in/out
Environmental Conditions:	
Working temperature	-5°C~45°C
Working relative humidity	Up to 98%
Storage temperature	-20°C~+60°C
Storage relative humidity	Up to 93%
Approved	
CE	
RoHS	
Product information:	
Dimensions	180×180×33 (mm)
Net Weight	811g
Housing material	Glass , ABS, steel plate
Installation	Desk/ wall hanging / DB box
Protection degree	IP20

Important Notes

- Check the connection, avoid any mistake
- Speaker resistance not less 4Ω
- Screw down strength is less than 0.4Nm
- The module has the terminal box. If you don't need, you should tell us in advance

Overview



HDL-MZAP.20 Audio amplifier, Class-D amplifier, low distortion, wide bandwidth, high efficiency, high power output, with mono and stereo selection, with preset volume.

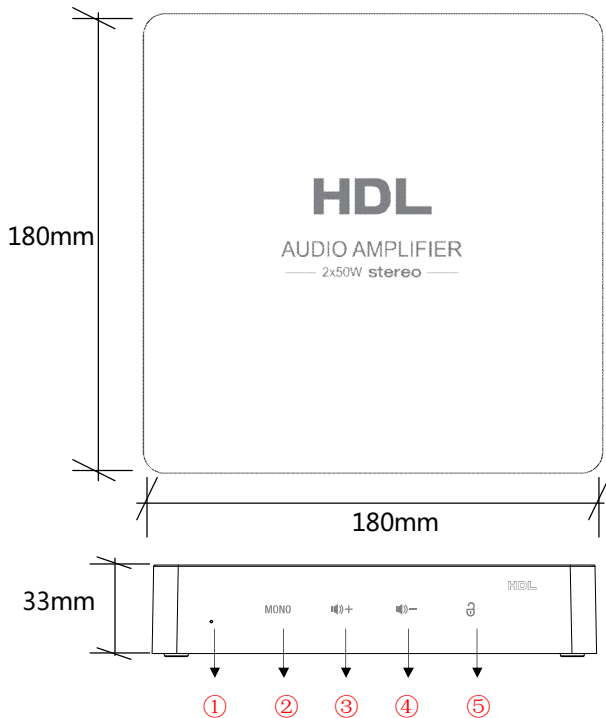
Functions

- Class-D audio amplifier.
- Preset volume.
- Mono / stereo selection.
- Standby and working controlled by dry contact.
- Supply power for music play box.
- If more speakers are needed for a large space, the user can add one more amplifier to the system.

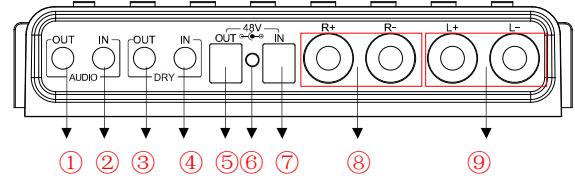
Installation Step

- Connect MZAP.20 to the special Power supply
- Connect MZAP.20 to music play box.
- Check the power supply cable connection
- Check the cable to MZBOX.20, avoid any mistakes of connection

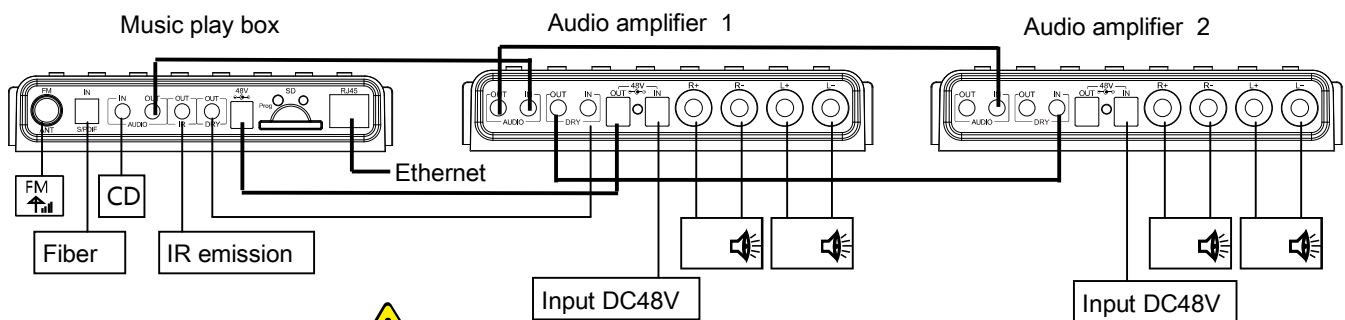
Dimensions and Wiring



- ① power indicator
- ② mono indicator ,
- ③ volume up
- ④ volume down
- ⑤ lock and indicator, long push for 5s will unlock / lock the touch panel .



- ① Audio output , connect to another audio in for another amplifier.
- ② Audio input , connect to audio out of music play box
- ③ Dry contact output, for next amplifier control.
- ④ Receive dry contact signal from music box and control the amplifier.
- ⑤ Input DC48V
- ⑥ Power indicator
- ⑦ DC48V power supply for music play box.
- ⑧ Terminal + and - for right channel speaker.
- ⑨ Terminal + and - for left channel speaker.



Safety precaution



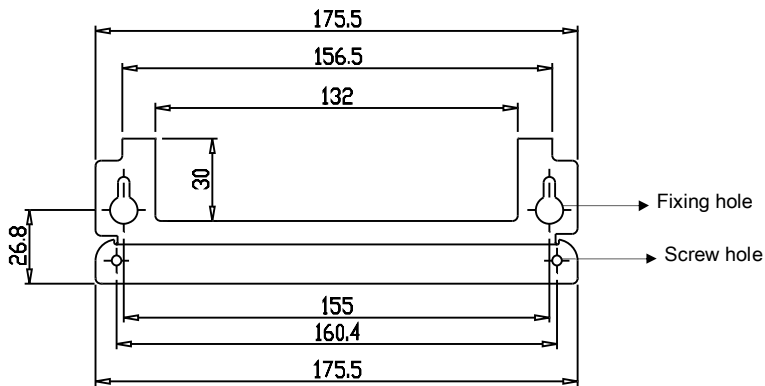
- Ensure good ventilation.
- Never let the liquids get into the module, it will damage this devices
- Avoid contact with liquids and aggressive gases.

Packing List

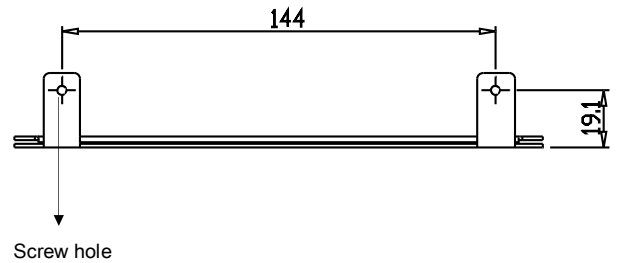
- Datasheet*1 / HDL-MZAP.20*1



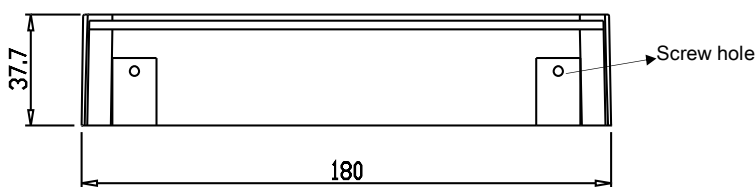
Dimensions



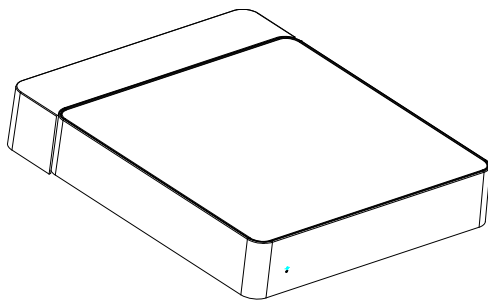
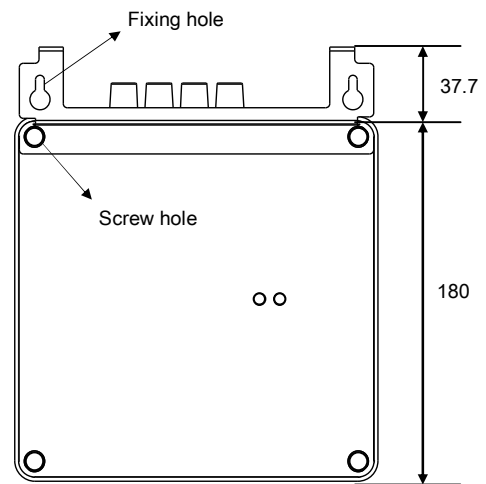
Front view



Top view



Terminal box



Effect picture

Note: The module has the terminal box, if you don't need, you should tell us in advance.