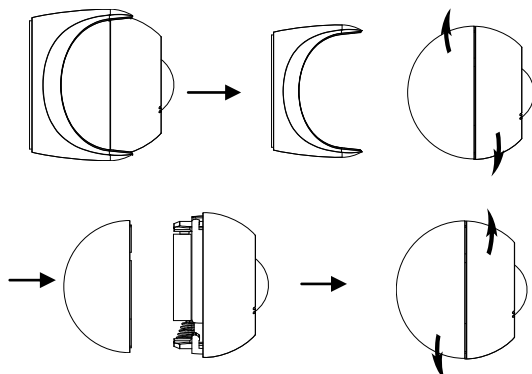


Parameters

Electrical Parameters:	
Working voltage	3V 1400mAh (From battery)
Working current	21mA
Standby current	24μA
Indoor communication distance	<=30m
RSSI Received Signal Strength Indication	>-80dbm
Frequency allocation:	
(China) WPAN	780-786MHz
(Europe) SRD	864-870MHz
(North America) ISM	904-928MHz
Default password	HDL-SecurityKey0
Environmental Conditions:	
Working temperature	0°C~36°C
Working relative humidity	<90%
Storage temperature	-20°C~+60°C
Storage relative humidity	<93%
Approved	
CE	
RoHS	
Product Information:	
Dimension	54x54x51.5(mm)
Net weight	125g
Housing material	PC
Installation	Ceiling mounted, screw or fix by double faced adhesive tape
Protection rating	IP20
Battery	Panasonic CR123A

Installation Steps

- Take out the cover, shown as below picture.
- Install the battery
- Install the cover, use the screw or double faced adhesive tape to fix.



Overview



HDL-MSPU03.BRF.10 Wireless PIR sensor, customer can use it to detect the movement, and then, trigger the target.

It uses HDL Buspro wireless communication, just need to use HDL Buspro software to configure

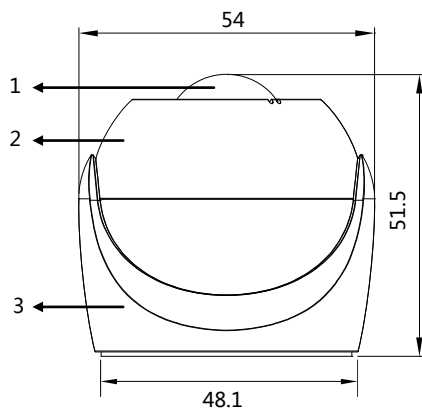
Functions

- Build in PIR sensor, LUX sensor, Temperature sensor
- LUX detection: detect current brightness
- Temperature detection: detect current temperature
- Battery energy detection: detect current battery energy
- Broadcast function: can broadcast its status, such as: movement, brightness, temperature, battery energy, you can select from the configuration.
- Target type: invalid, scene, sequence, universal switch, single channel lighting control, curtain switch, GPRS control, broadcast scene, broadcast channel, security, z-audio control.
- Can adjust the detection range.
- Supports IEEE.802.15.4
- Supports online upgrading
- Supports easy programming

Important Note

- This device needs to work with mesh gateway
- Its subnet ID needs to be same as mesh gateway
- Avoid to next to the metal, keep away the heat source
- When battery energy is less 2.8V, need to change the battery
- Make sure the battery installation is right
- Need to set via the HDL Buspro software
- The indoor temperature should be 0-36 degree, if not, will not work fine.

Dimensions and Wiring (mm)



1. Fresnel lens
2. Can rotate the Fresnel lens, adjust the detection area
3. The base, can use screws or double faced adhesive tape to fix
4. Temperature sensor
5. Install the battery
6. Programming button

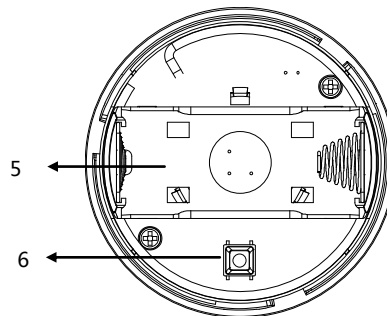
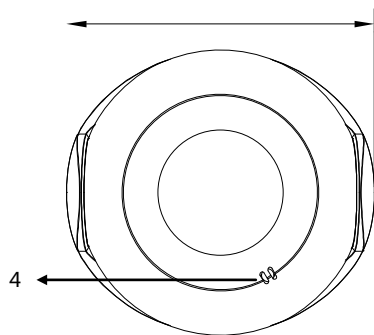
When install the battery, the led will be green, enter the setup mode.

In the setup mode, keep pressing the button 3s, the led will be red, you can read and modify the device address. Keep pressing 3s again without operation 2 minutes, will exit the address setting.

In the setup mode, you can set from the HDL Buspro software, after 5 minutes without operation, will enter the working mode, if need to set the parameter, need to press the programming button one time.

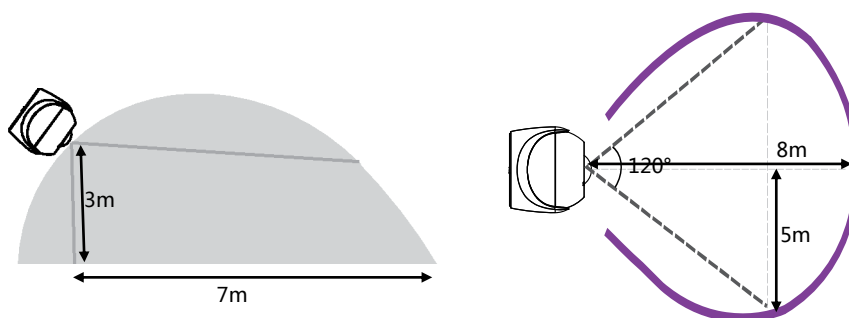
In the setup mode, press the button one time, the green led will flash, after 20s, will turn off and enter the working mode.

In the setup mode, press the button 3 times continuously, the green led will flash quickly, and the gateway enter the setup mode too, they will connect automatically.



Internal

Detection Range



Safety Precautions



- Do not let the module come into contact with hazardous liquids or corrosive gases.
- Ensure good environment.

Package contents

- Sensor*1/Battery*1/Double faced adhesive tap*1/Screw*1/Datasheet*1