

Parameters

Electrical Parameters:	
Working power	5V DC (From USB)
Working current	20mA
IR emission carrier frequency	38KHz
IR Control distance (channel 1)	5m
Indoor communication distance	<=30m (Barrier free)
RSSI Received Signal Indication	>-80dbm
Frequency allocation	
China (WPAN)	780MHz to 786MHz
Europe (SRD)	864MHz to 870MHz
North America (ISM)	904MHz to 928MHz
Default band	780 MHz
Default PSK	HDL-SecurityKey0
Environment Conditions	
Working temperature	-10°C~45°C
Working relative humidity	<90%
Storage temperature	-20°C~+60°C
Storage relative humidity	<93%
Approved	
CE	
RoHS	
Product Information:	
Dimensions	Φ120x37 (mm)
Weight	125g
Housing material	PC
Installation	Desk or hanging
Protection degree	IP20
Battery	LIR2032 3.6V

Important Notes

- **Installation**, Desk or hanging, Can be placed near the equipment, connection installed with IR probe, also can be hanging on the wall or roof.

Overview



HDL-MIR01R-RF.10 Wireless IR Emitter, adopt HDL wireless communication way, download IR codes are saved in database or that learning by IR learner via HDL Buspro programming software, such as to control the IR equipments such as AC, TV, Fan and so on.

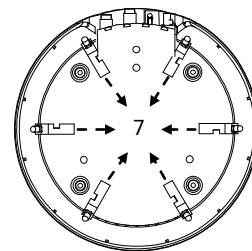
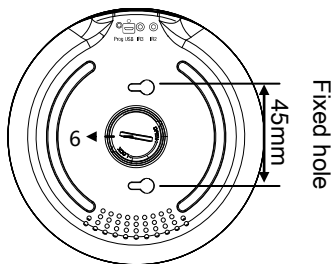
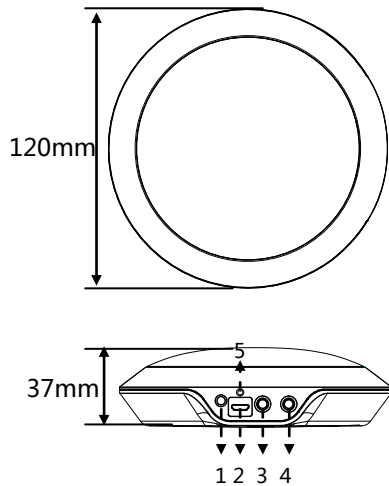
Functions

- Drive the LED transmitting tube directly
- 3 IR emission channels
- Supports 10 devices and 100 learning IR codes.
- Supports for many remote controller types, find the brand which you need, through the test to choose the right one.
- Can update IR codes from database, also can update IR codes that learning by HDL IR learner.
- Sequence function, to call the sequence by universal switch, the UV switch number is 201-208.
- Temperature detect and broadcasting functions
- Build in time chip, time and clock function
- Supports IEEE.802.15.4
- Supports online upgrading
- Supports easy programming

Important Notes

- **IR Emitter cable** - the length is 1.5m, interface is 3.5mm, and it should be next to the control target
- **Temperature probe** - 10Kohm
- It should be worked with the mesh gateway
- Its subnet ID should be same as mesh gateway ID
- Avoid to be next to the large area of metal

Dimensions and Wiring



Inside view

1. Programming button: If it is working fine, the top LED light will flash green. Press the button 3 times continuously, it will turn red and flash quickly, it means that it enters the setup mode (The mesh gateway should enter the setup mode too, later you can set the configuration.)
 2. Power input: From USB
 3. IR channel 3, connect to IR emitter cable.
 4. IR channel 2, connect to IR emitter cable.
 5. Temperature probe.
 6. Battery: LIR2032 3.6V, provide the power to the time chip.
 7. IR channel 1, total 6 IR LED, control up to 360 degrees.
- Fixed hole: when you want to use hanging way for installation, you need to use it to fix the device. The spacing is 45mm.

Safety Precautions



- Ensure good ventilation
- Do not connect the module to AC power.
- Do not let the module come into contact with hazardous liquids or corrosive gases.

Package Contents

- Wireless IR Emitter*1
- USB Cable *1
- IR probe *2
- Datasheet*1

